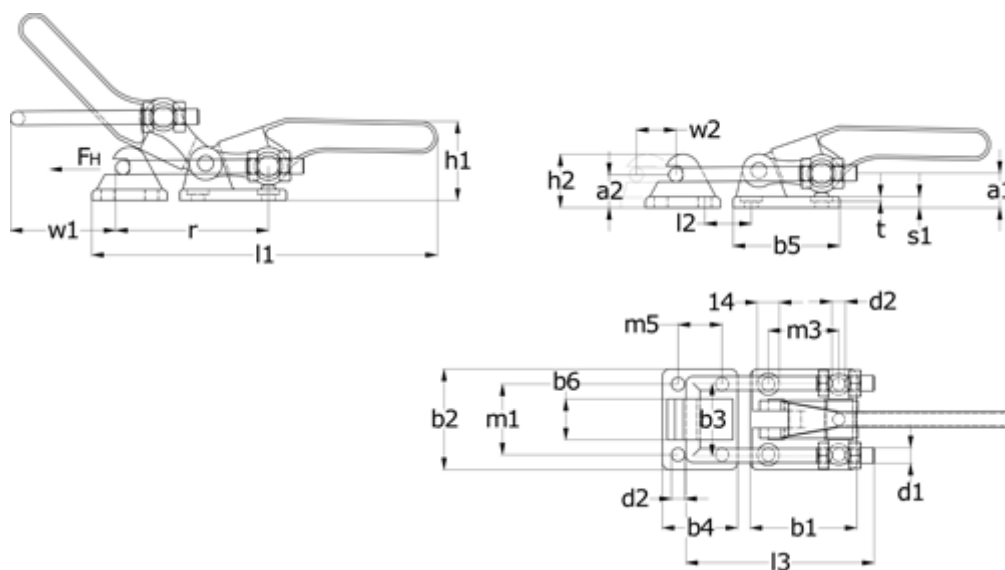


Article number: 208521700T  
 Description: E+G Klee latch clamp  
 GN 852-1700-T

## Measures



a1 = 22	d3 = 14	m2 = 11.5	w1 = 65
a2 = 21	h1 = 52	m3 = 45	w2 adjustable range = 8.5
b1 = 68	h2 = 34.5	m4 = 10.0	
b2 = 64	Holding force N = 14000	m5 = 28	
b3 = 46	l1 = 218	r = 97.5	
b4 = 48	l2 = 29.5	s1 = 7	
d1 = M10	l3 = 120	Size = 1400	
d2 = 8.5	m1 = 45	t = 2	